

## STAINLESS STEEL GLOBE VALVE WITH BELLOW PN16/40 ICP DIN 3202-1 F1

Stainless steel globe valve with bellow flanged PN16/40 for closing or setting network of corrosives fluids, steam, hydrocarbons and thermic fluid.

Stainless steel bellow and PTFE gasket.

Anti-turn device to avoid the risk of torsion of bellows.

Conical disc and seat for a better setting or progressive opening/closing.

Bolted bonnet and packing for an easy maintenance.

Compatible with explosive atmosphere, ATEX Zone 1&21 and Zone 2&22.

**Certificate**

**3.1**



**Size :** DN15 to DN100

**Connection :** Flanges R.F. PN16/40

**Min Temperature :** -50°C

**Max Temperature :** +400°C

**Max Pressure :** 40 Bars up to DN50, 16 Bars over

**Specifications :** Non rising stem  
Stainless steel bellow  
Bolted bonnet  
Bolted packing

**Materials :** Stainless steel EN 1.4408

STAINLESS STEEL GLOBE VALVE WITH BELLOW PN16/40 ICP DIN 3202-1 F1

**SPECIFICATIONS :**

- Respect the flow direction indicated by the arrow
- Non rising stem
- Bolted bonnet and gland pack
- Stainless steel bellow
- Conical seat and disc
- Anti-turn device to avoid the risk of torsion of bellows
- Flanges R.F. PN16/40

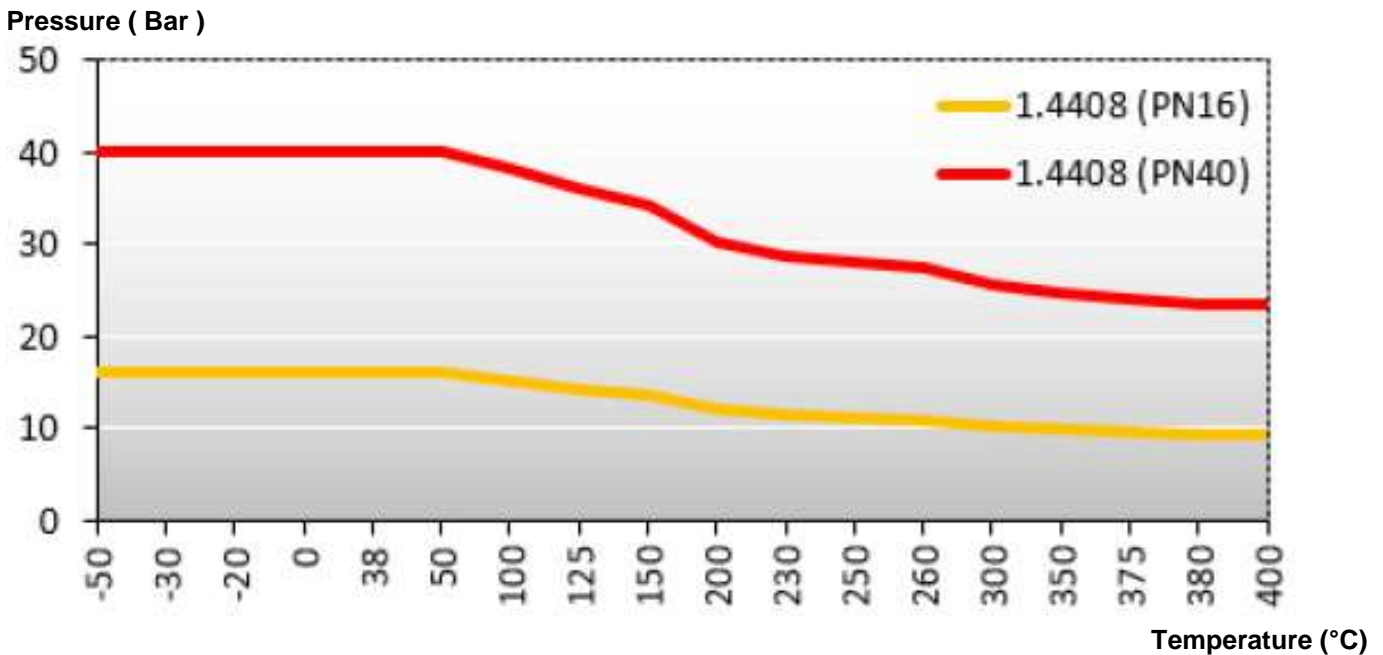
**USE:**

- Corrosive fluids, steam, hydrocarbons, thermic fluid
- Min and max Temperature Ts : - 50°C to + 400°C
- Max Pressure Ps : 40 bars up to DN50, 16 bars over ( see graph under )
- Keep greased the stem

**FLOW COEFFICIENT Kvs ( M3 / h ) :**

DN	15	20	25	32	40	50	65	80	100
Kvs ( m3/h )	3.8	7	10	19	35	43	60	110	146

**PRESSURE / TEMPERATURE GRAPH :**



**RANGE :**

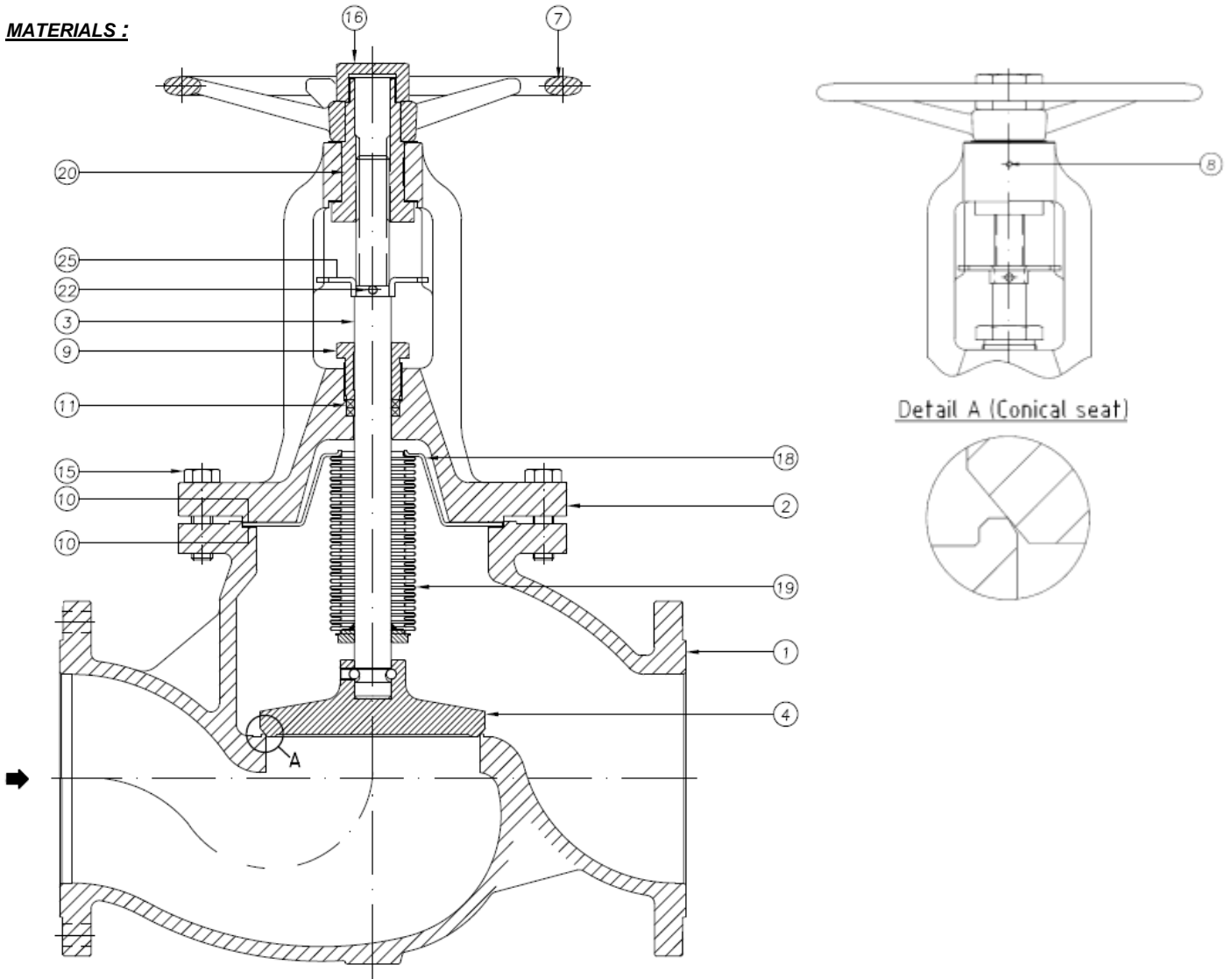
- Stainless steel globe valve with stainless steel bellow flanged R.F. PN16/40 from DN 15 to DN 50
- Stainless steel globe valve with stainless steel bellow flanged R.F. PN10/16 from DN 65 to DN 100

**NUMBER OF TURNS FOR OPENING OR CLOSING :**

DN	15	20	25	32	40	50	65	80	100
Number of turns	3.9	4.5	7.4	7.4	7.7	7.7	13.2	13.9	14.8

**STAINLESS STEEL GLOBE VALVE WITH BELLOW PN16/40 ICP DIN 3202-1 F1**

**MATERIALS :**

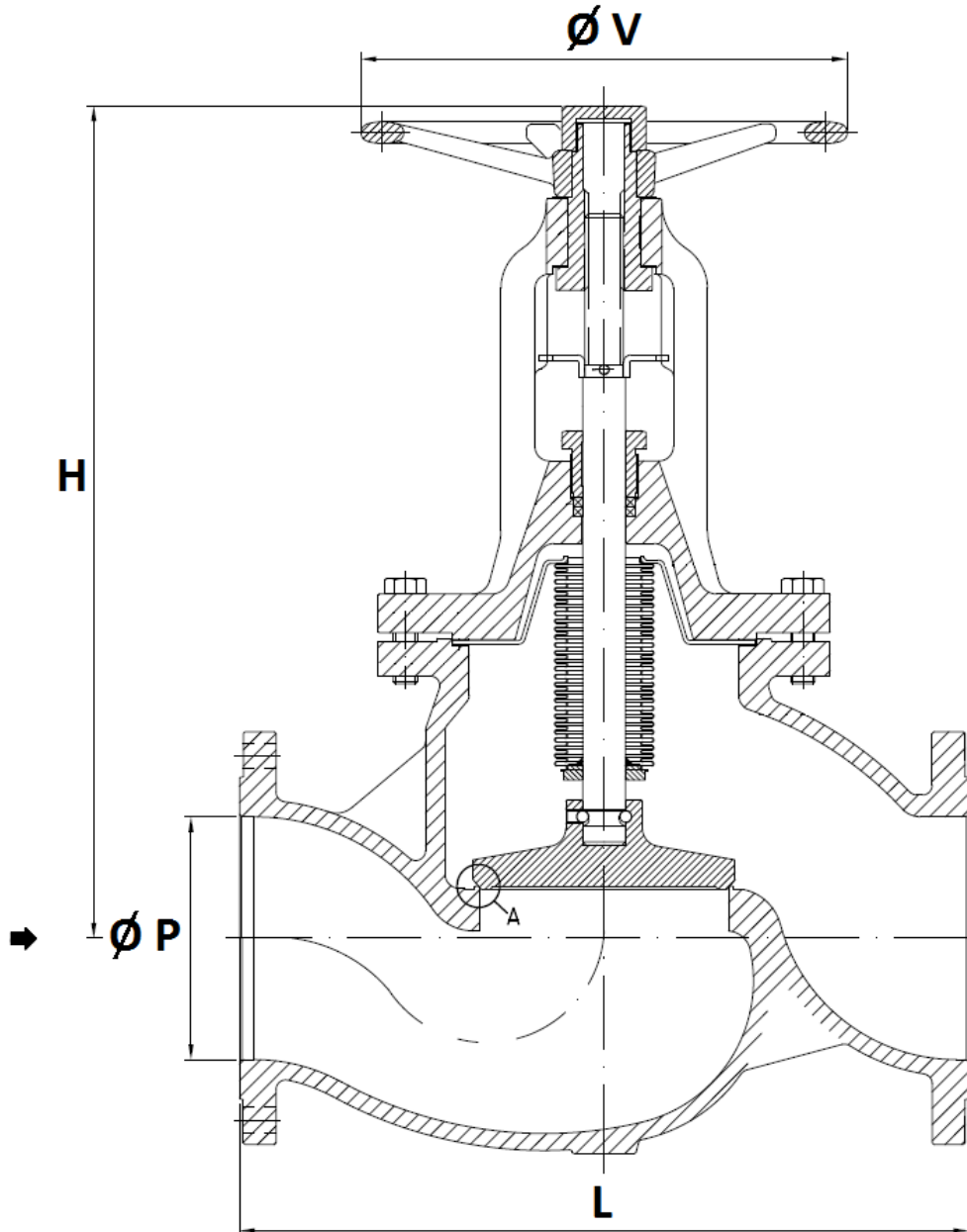


Item	Designation	Materials
1	Body	EN 1.4408
2	Bonnet	
3	Stem	EN 1.4401
4	Disc	
7	Handwheel	ASTM A216 WCB
8	Grease nipp.	Steel
9	Gland nut	EN 1.4401
10	Gasket	Graphite+ stainless steel
11	Packing	Graphite

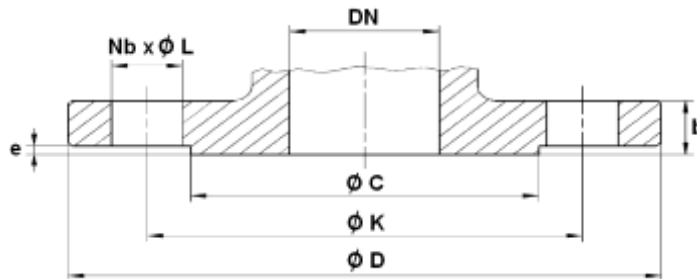
Item	Designation	Materials
15	Screw	A4-70
16	Handwheel nut	EN 1.4401
18	Hood	
19	Bellow	
20	Threaded bushing	X20 Cr13 + HT65
22	Pin	Steel
25	Anti turn device	EN 1.4401

**STAINLESS STEEL GLOBE VALVE WITH BELLOW PN16/40 ICP DIN 3202-1 F1**

**SIZE ( in mm ) :**



DN	15	20	25	32	40	50	65	80	100
L	130	150	160	180	200	230	290	310	350
Ø P	15	20	25	32	40	50	65	80	100
H	190	195	220	219	256	265	328	341	376
Ø V	120	120	140	140	180	180	200	200	250
Weight (Kg)	3.7	4.8	6.8	7.8	13	15.5	21	26.4	40
Ref.	472015	472020	472025	472032	472040	472050	472065	472080	472100

**STAINLESS STEEL GLOBE VALVE WITH BELLOW PN16/40 ICP DIN 3202-1 F1**
**FLANGES SIZE ( in mm ) :**


DN	15	20	25	32	40	50	65	80	100
Ø C	45	58	68	78	88	102	122	138	158
Ø D	95	105	115	140	150	165	185	200	220
Ø K	65	75	85	100	110	125	145	160	180
Nb x Ø L	4 x 14	4 x 14	4 x 14	4 x 18	4 x 18	4 x 18	4 x 18	8 x 18	8 x 18
b	16	18	18	18	18	18	18	20	20
e	2	2	2	2	3	3	3	3	3

**STANDARDS :**

- Manufacturer certified ISO 9001 :2015
- DIRECTIVE 2014/68/EU : For liquids and gas of Group 1
  - DN15-25 : Article 4, §3 (SEP), no CE marking
  - DN32-100 : Risk Category II, CE1035 or CE0035 marking
- Certificate 3.1 on request
- Designing according to DIN 3840
- Marking according to EN 19
- Pressure Tests according to EN 12266-1, Rate A
- Length according to EN 558 series 1 ( DIN 3202-1 F1 )
- Flanges R.F. according to EN 1092-1 PN16/40
- ATEX Group II Category 2 G/2Dc Zone 1 & 21 Zone 2 & 22 ( optional marking ) according to directive 2014/34/EU

**ADVICE :** Our opinion and our advice are not guaranteed and SFERACO shall not be liable for the consequences of damages. The customer must check the right choice of the products with the real service conditions.