

BRONZE GLOBE VALVE PTFE DISC FEMALE BSP PN16

Bronze globe valve female BSP with reduced bore for closing or setting networks of heating, water distribution and watering, compressed air.

PTFE packing.

Monobloc bronze body provides excellent corrosion resistance.



Size : DN1/4" to DN2"
Connection : Female BSP
Min Temperature : -10°C
Max Temperature : +110°C
Max Pressure : 16 Bars
Specifications : Rising rotating stem and handwheel
Monobloc
Reduced bore
PTFE packing
PTFE disc

Materials : Bronze ASTM B62 body

BRONZE GLOBE VALVE PTFE DISC FEMALE BSP PN16

SPECIFICATIONS :

- Respect the flow direction (indicated by the arrow)
- Rising rotating stem and handwheel
- PTFE packing
- Bronze body
- PTFE disc
- Threaded female BSP cylindrical

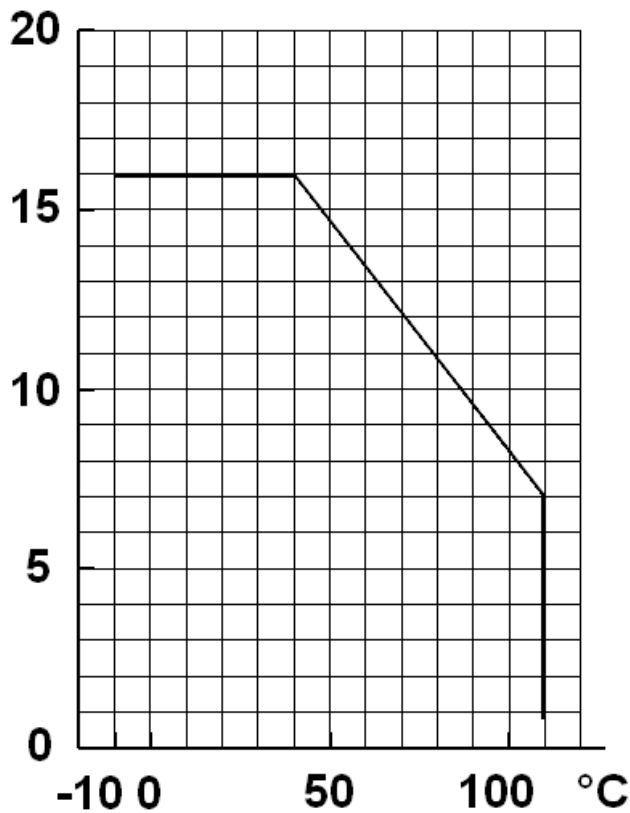
USE :

- Heating, water distribution, watering, compressed air
- Min and max Temperature Ts : - 10°C to + 110°C
- Max pressure Ps : 16 bars (see graph)
- **Do not use for steam**

PRESSURE / TEMPERATURE GRAPH (STEAM EXCLUDED) :

PRESSURE

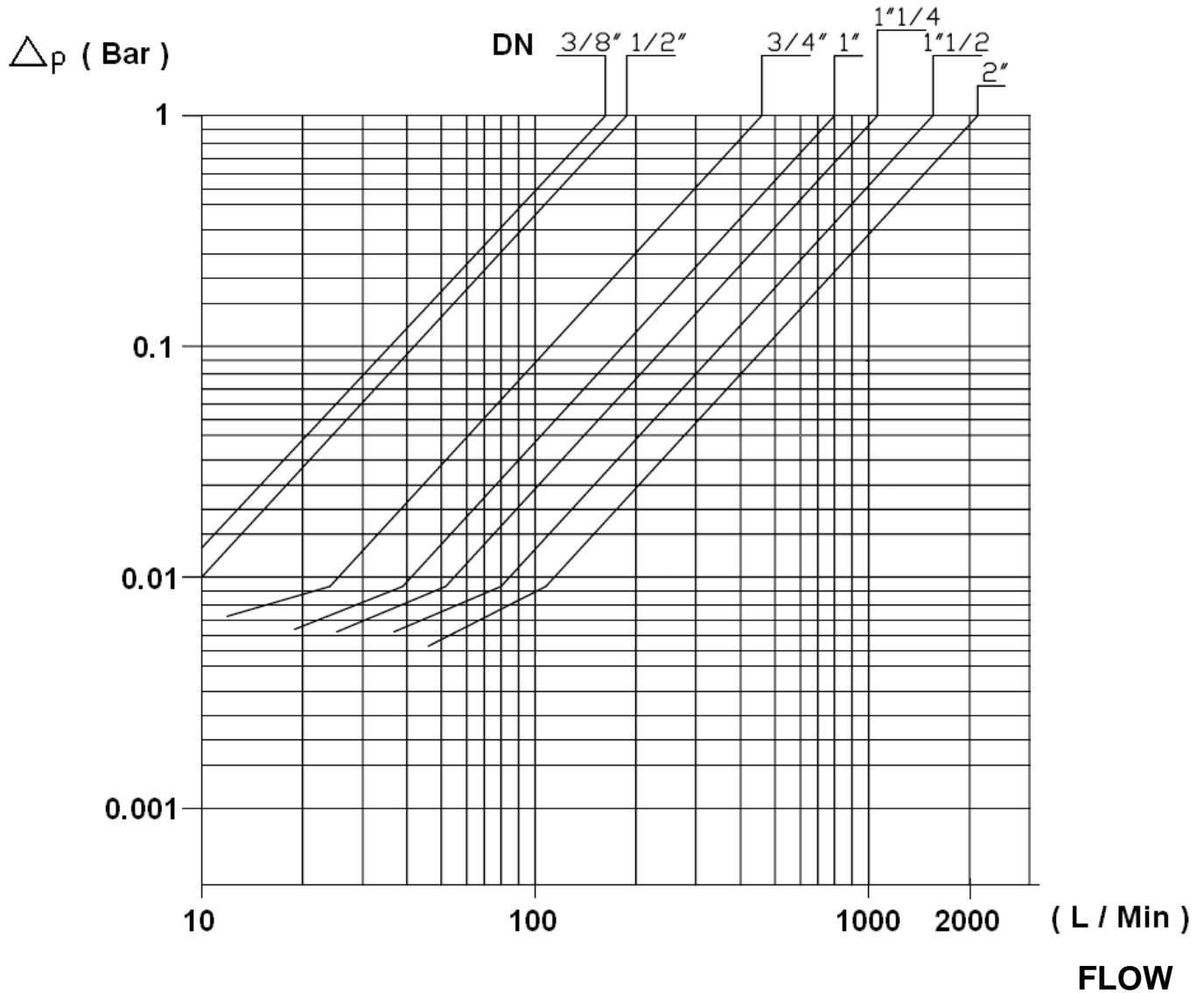
Bar



TEMPERATURE

BRONZE GLOBE VALVE PTFE DISC FEMALE BSP PN16

HEAD LOSS GRAPH :

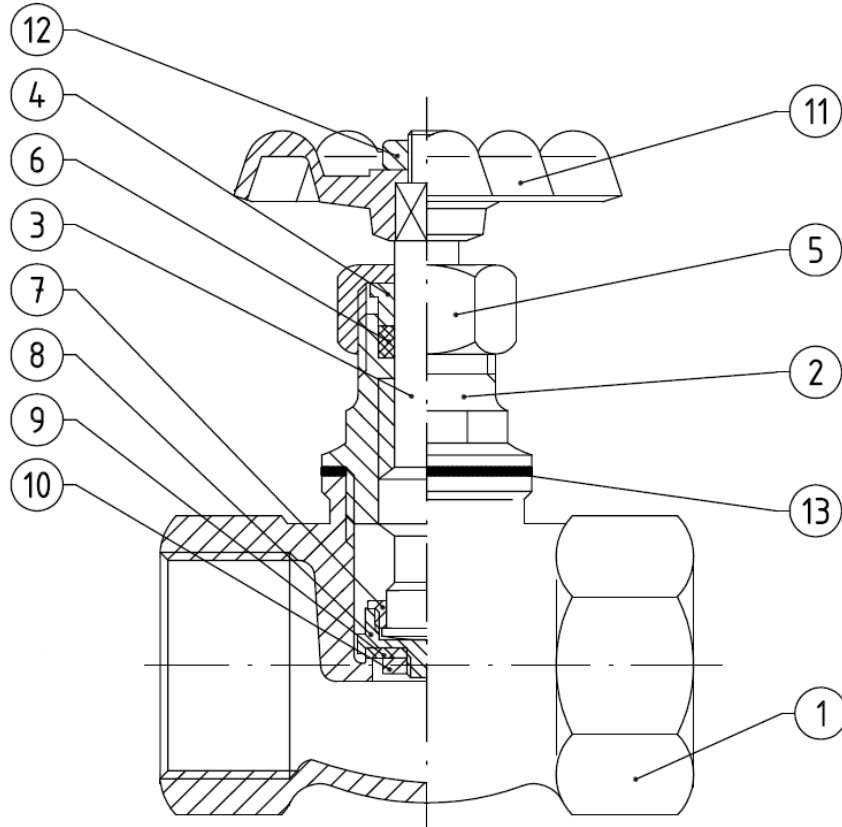


RANGE :

- Globe valve bronze body and PTFE disc, female threaded cylindrical BSP from DN 1/4" to DN 2" Ref. 462

BRONZE GLOBE VALVE PTFE DISC FEMALE BSP PN16

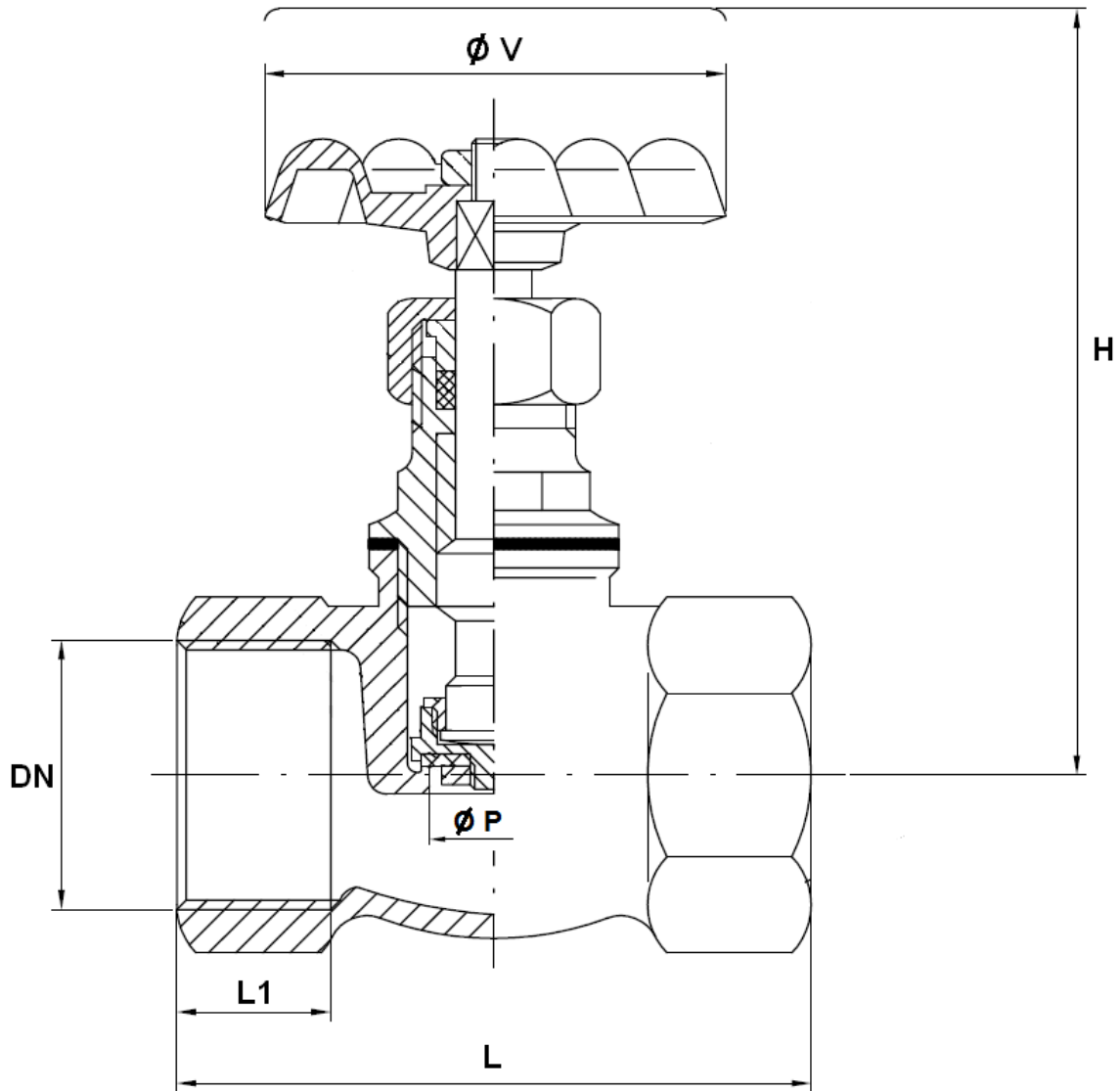
MATERIALS :



Item	Designation	Materials
1	Body	Bronze C83600 ASTM B62
2	Bonnet	Brass CW 617N according to EN 12165
3	Stem	Brass CW 614N according to EN 12164
4	Packing gland	Brass CW 614N according to EN 12164
5	Packing nut	Brass CW 614N according to EN 12164
6	Packing	PTFE
7	Ring	Brass CW 614N according to EN 12164
8	Disc	Brass CW 614N according to EN 12164
9	Disc ring	PTFE
10	Disc nut	Brass CW 614N according to EN 12164
11	Handwheel	Aluminium GD12FE UNI EN1706
12	Handwheel nut	Steel 6S UNI 5589
13	Bonnet gasket (DN 1/4" au 1")	Red Fiber

BRONZE GLOBE VALVE PTFE DISC FEMALE BSP PN16

SIZE (in mm) :



DN	1/4"	3/8"	1/2"	3/4"	1"	1"1/4"	1"1/2"	2"
L	45	45	49	55	63	72	89	100
L1	9.5	9.5	11	13	12	15	15	19
H (opened)	66	66	67	78	90	100	115	145
Ø P	11.5	11.5	11.5	13.5	17.5	21	28.5	36
Ø V	50	50	50	50	55	60	70	80
Weight (Kg)	0.2	0.2	0.21	0.32	0.46	0.68	1.03	1.45
Ref.	462002	462003	462004	462005	462006	462007	462008	462009

BRONZE GLOBE VALVE PTFE DISC FEMALE BSP PN16**STANDARDS :**

- Manufacturer certified ISO 9001 : 2015 and ISO 14001 : 2015
- DIRECTIVE 2014/68/EU : For liquids and gas of Group 1
 - DN1/4"-1" : Article 4, §3 (SEP), no CE marking
 - DN1"1/4-2" : Risk Category I, CE marking
- Pressure tests according to EN 12266-1, Rate A
- Threaded female BSP cylindrical according to ISO 228-1

ADVICE : Our opinion and our advice are not guaranteed and SFERACO shall not be liable for the consequences of damages.
The customer must check the right choice of the products with the real service conditions.